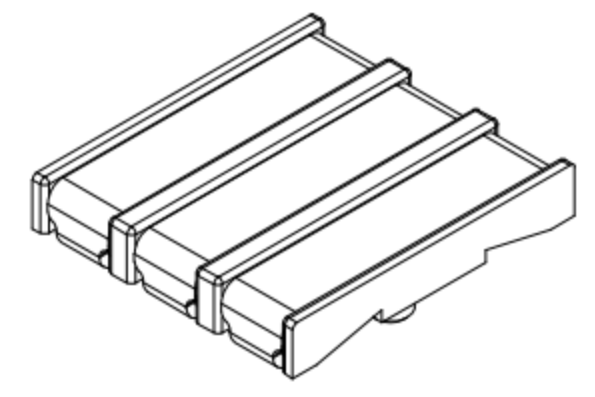
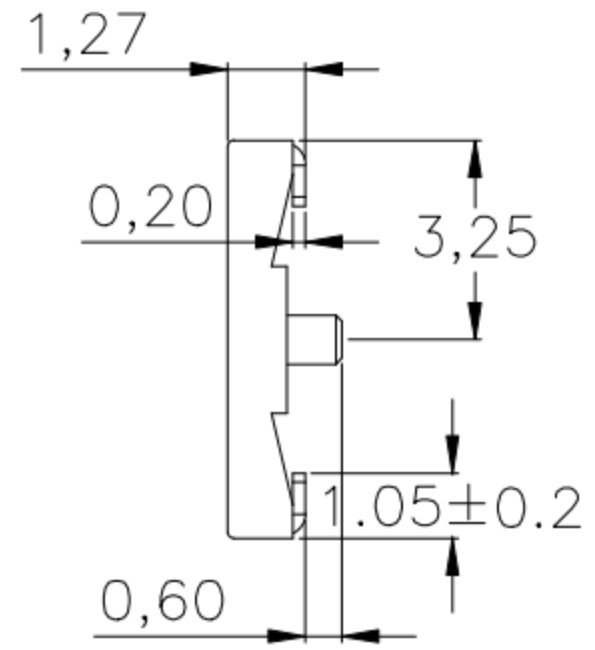
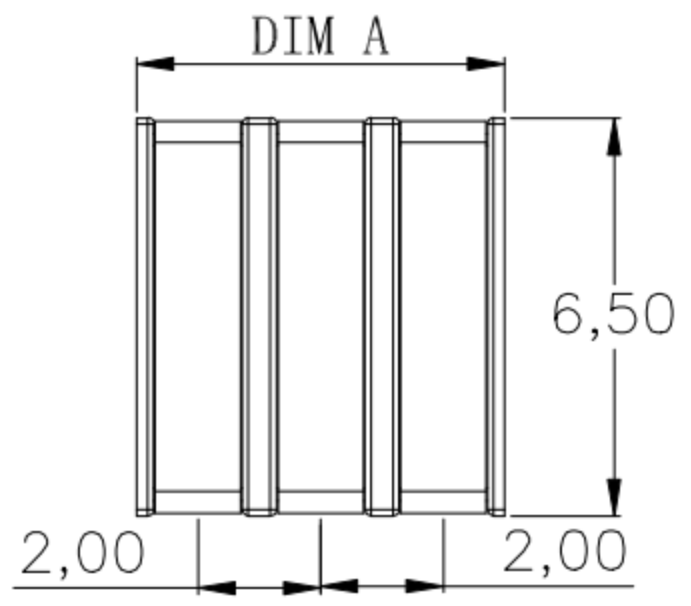
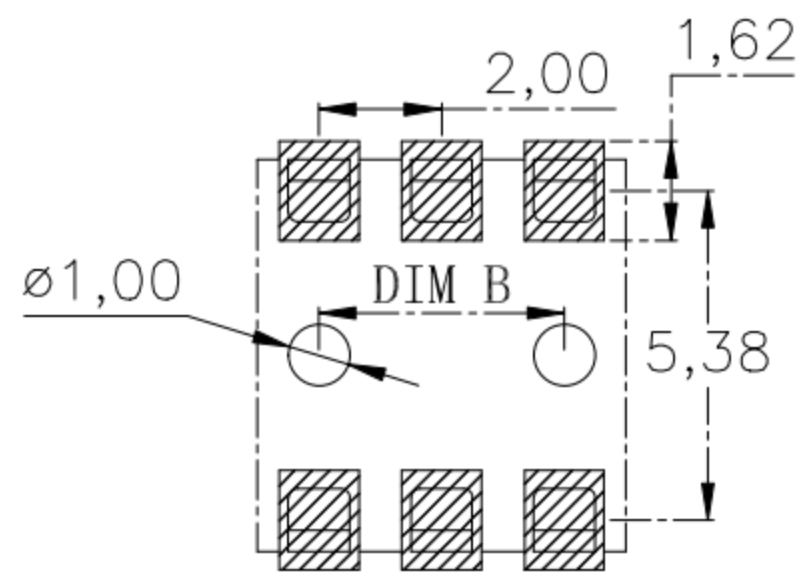
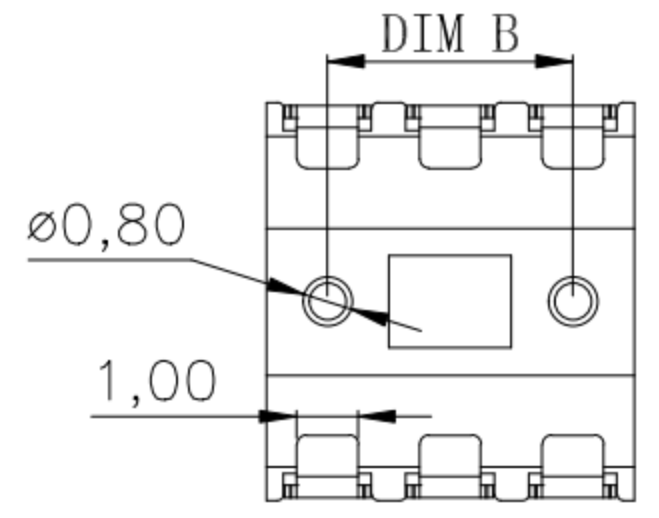


REV.	ECN NO.	DESCRIPTION	DESIGN	DATE
A		INITIAL	Kai	2018.03.29

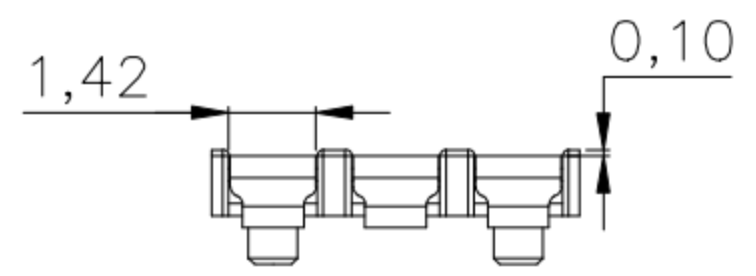


DIM A	DIM B
4.0	2.0
6.0	4.0
8.00	6.0
10.0	8.0
12.0	10.0
14.0	12.0
16.0	14.0



RECOMMENDED PCB LAYOUT  
TOP VIEW (. XX±0.05)

**性能:**  
**额定电流: 2.0A**  
**额定电压: 12V**  
**耐电压: 500V**  
**接触电阻: 30mΩ**  
**绝缘电阻: 500MΩ**  
**工作温度: -40℃~+85℃**  
**塑件(材质): LCP**  
**接触点(材质): 磷铜, 镀金**



UNLESS OTHERWISE SPECIFIED TOLERANCES				东莞市高迪电子有限公司			
DECIMALS:		ANGLES:		DWG NO.	PART NAME:		
DIM	TOL	DIM	TOL	DESIGN:	PART NO.		
X.	±0.50	X.	±2°	CHECK:	REV. UNIT: SHEET:		
X.X	±0.30	X.X	±1°	APPROVED	A	mm	1/1
X.XX	±0.20	X.XX					
X.XXX	±0.10	X.XXX					

ITEM	PART NAME	Q'TY	MATERTAL	DESCRIPTION	REMARK
②	HOUSING	1	LCP		BLACK
①	CONTACT A	2	PHOSPHOR BRONZE 0.20T	Au PLATED	